

E13 Kick Bar Assembly Instructions

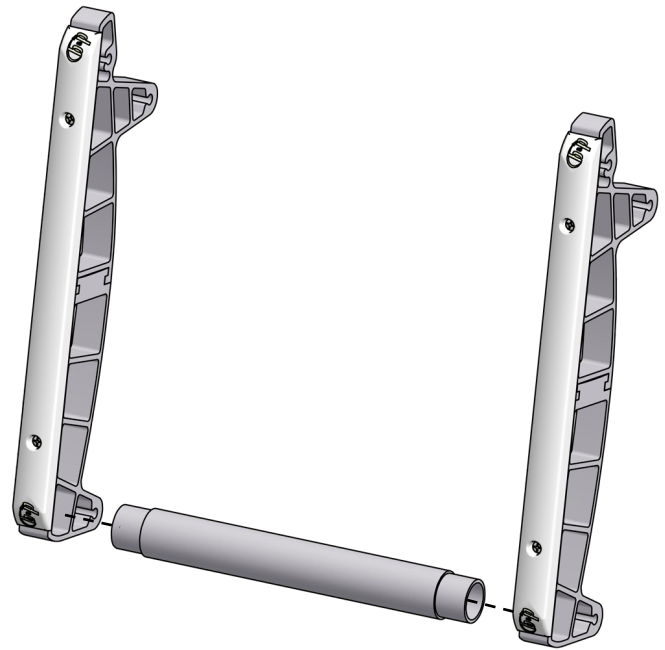
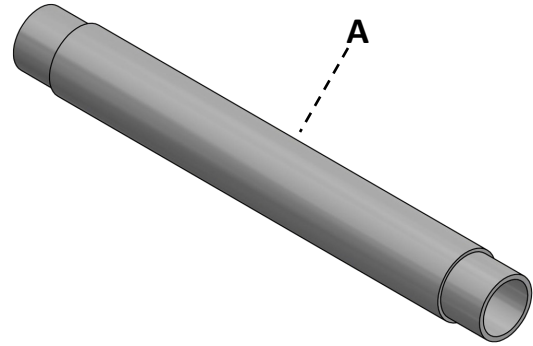
For E1L Stair Climbers

Item	Description	Qty.	Part No.
A	Kick Bar, 1" Aluminum	1	2002-E13

Tools Required:

- (2) 1/2" wrench/socket
- (1) Needle nose pliers

1. To add a kick bar to your hand truck with E1L stair climbers first remove the wheels and stair climbers, setting aside all hardware.
2. Take the kick bar (A) and insert it between the stair climbers as shown.
3. Holding the assembly together reattach the stair climbers to the hand truck, then reattach the wheels.



www.magcoa.com
(800) 255-9390

