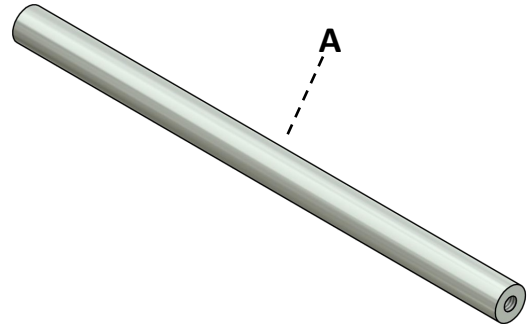


E26 Kick Bar Assembly Instructions

For E1L Stair Climbers

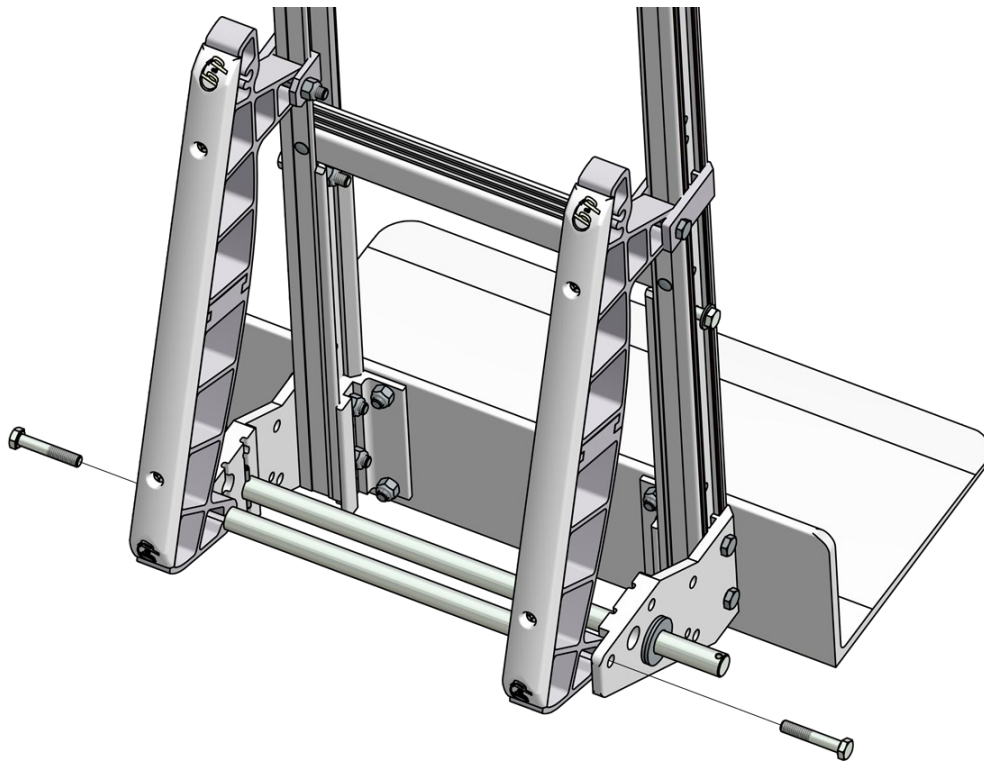
Item	Description	Qty.	Part No.
A	Kick Bar, Steel, for 8" Wheels	1	2002-250



Tools Required:

- (2) 1/2" wrench/socket
- (1) Needle nose pliers

1. To add a kick bar to your hand truck with E1L stair climbers first remove the wheels setting aside all hardware.
2. Remove the bottom bolt from the stair climbers, set aside the bolt and discard the nut. Take the kick bar (A) and insert it between the stair climbers and secure it with the removed bolts.
3. Reattach the wheels to the hand truck.



www.magcoa.com
(800) 255-9390

