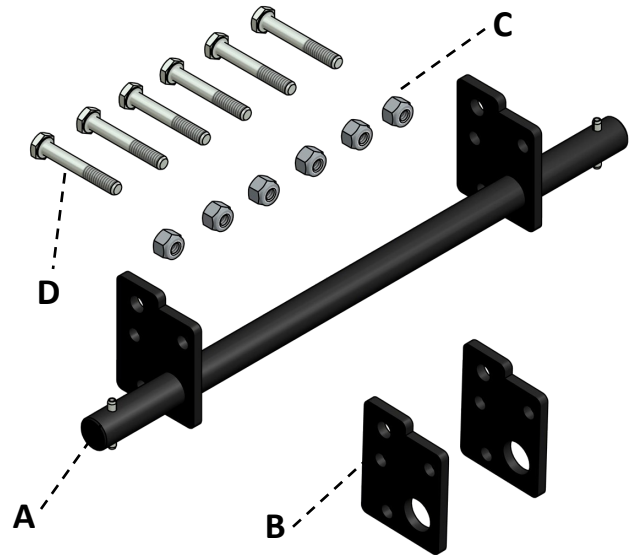


# E46 Kick Bar Assembly Instructions

## For E1L Stair Climbers

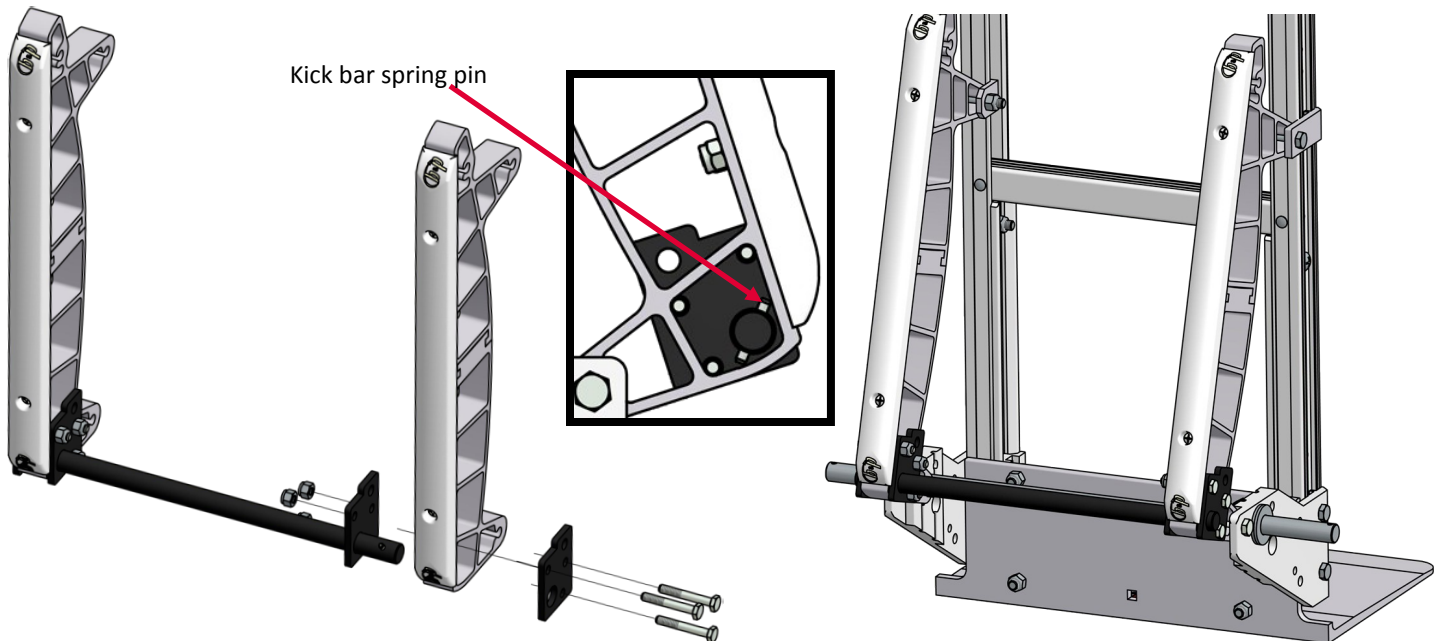
Item	Description	Qty.	Part No.
A	Kick Bar, Steel, for 10" Wheels	1	2002-278
B	Bracket, Kick Bar	4	2001-816
C	Lock Nut, 1/4"-20	6	8001-004
D	Bolt, 1/4"-20 x 1-3/4"	6	8007-036



### Tools Required:

- (2) 7/16" wrench/socket
- (2) 1/2" wrench/socket
- (1) Needle nose pliers

1. To add a kick bar to your hand truck with E1L stair climbers first remove the wheels and stair climbers, setting aside all hardware.
2. Take the kick bar (A) and insert it between the stair climbers. Orient the kick bar spring pin in the stair climber as shown. Place one bracket (B) on the outside of each stair climber and align with the brackets already attached to the kick bar, secure with bolts (D) and lock nuts (C).
3. Reattach the stair climber assembly and wheels to the hand truck.



www.magcoa.com  
(800) 255-9390

**b&p Manufacturing**  
Engineered Delivery Products