

Frame Extension Assembly Instructions

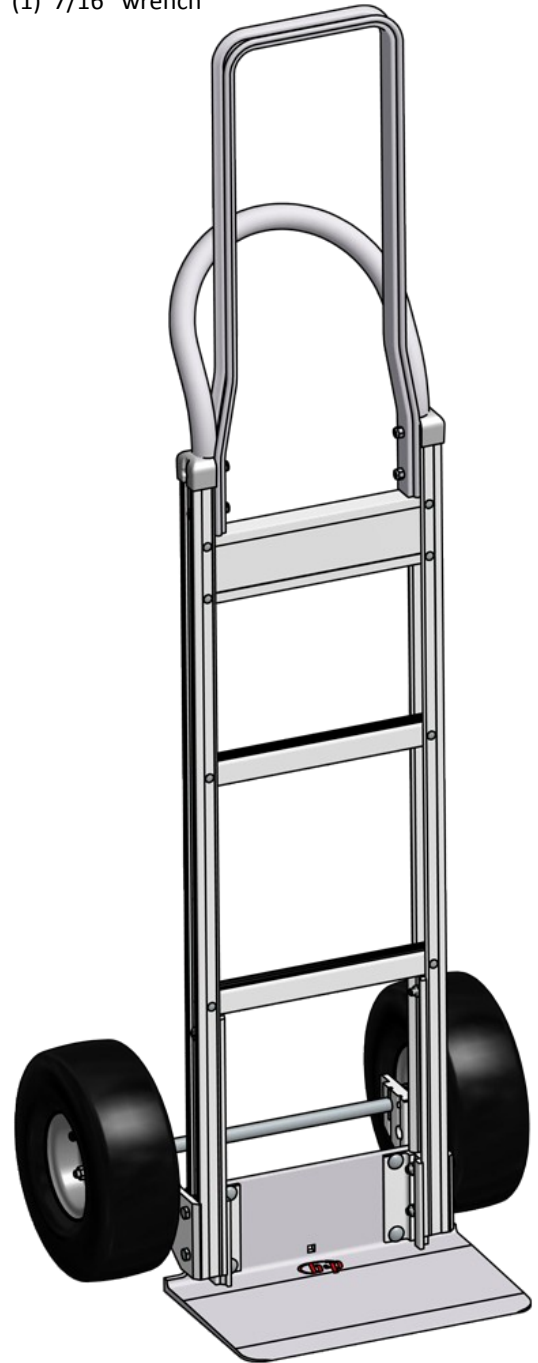
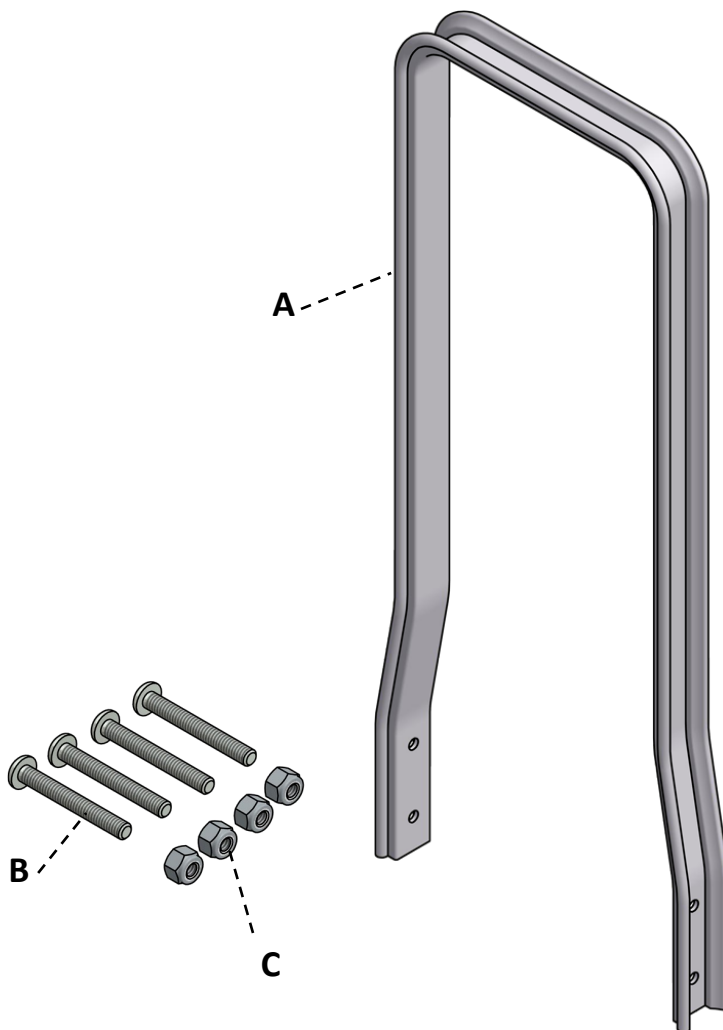
Item	Description	Qty.	Part No.
A	Frame Extension	1	Various*
B	Screw, Pan Head 1/4-20 x 2"	4	8068-004**
C	Lock Nut, 1/4-20	4	8001-004**

Tools Required:

- (1) #2 Phillips Screwdriver
- (1) 7/16" wrench

*Part number will vary based on the option selected at the time of purchase.

**B and C are only needed for handles with a u-brace (A2, A11 and A14).



www.magcoa.com
(800) 255-9390



Frame Extension Assembly Instructions

1. To add a frame extension to your hand truck first remove the handle fasteners and set aside, then slide the frame extension (A) inside the handle and the frame and reinsert the fasteners and tighten.
2. If your hand truck has a u-brace slide the frame extension (A) inside the handle and the frame and then slide the u-brace inside the frame extension and secure with bolts (B) and nuts (C).

