

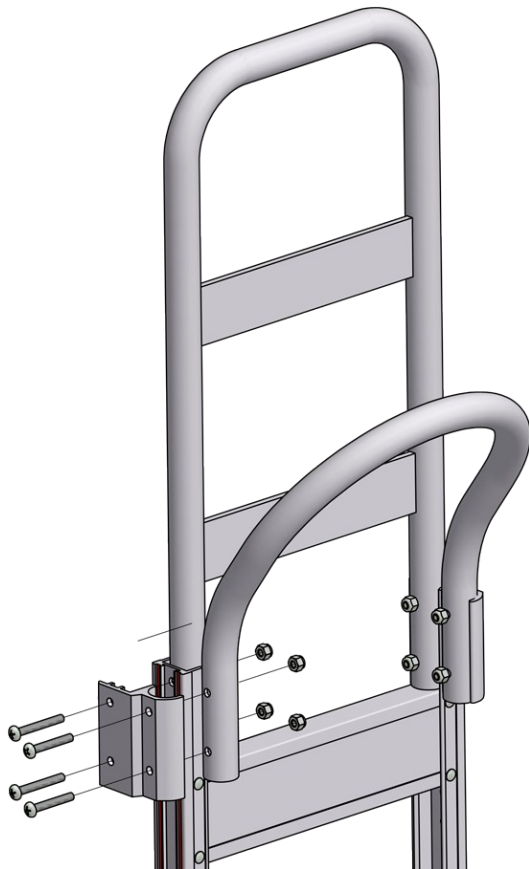
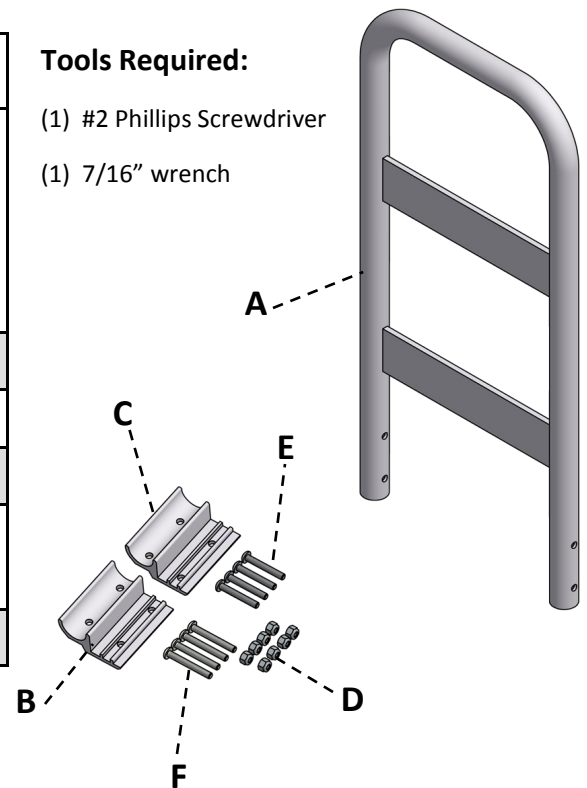
Tubular Frame Extension Assembly Instructions

Item	Description	Qty.	Part No.
A	Frame Extension, Tubular with Straps*	1	2002-E62S
			2002-E62SL
			2002-E68S
			2002-E68SL
B	Handle Bracket, LH	1	2002-777
C	Handle Bracket, RH	1	2002-776
D	Lock Nut, 1/4-20	8	8001-004
E	Pan Head Screw, 1/4-20 x 1-3/4"	4	8068-003
	Pan Head Screw, 1/4-20 x 2-1/4"		8068-014
F	Pan Head Screw, 1/4-20 x 2"	4	8068-004

Tools Required:

(1) #2 Phillips Screwdriver

(1) 7/16" wrench



*Part number will vary based on the option selected at the time of purchase.

1. To add a tubular frame extension to your hand truck first remove the handle from the frame and discard the gray end caps and fasteners.
2. Slide the tubular frame extension (A) into the frame side channels.
3. Snap handle brackets (B and C) into the outer frame channel, aligning the holes and the top of the bracket with the frame. Secure with 1/4-20 x 1-3/4" bolts (E) or 1/4-20 x 2-1/4" bolts for hand trucks with brakes and lock nuts (D).
4. Slide the handle into the brackets and secure with 1/4-20 x 2" bolts (F) and lock nuts (D).

www.magcoa.com
(800) 255-9390

